

4

3

2

1

D

D

C

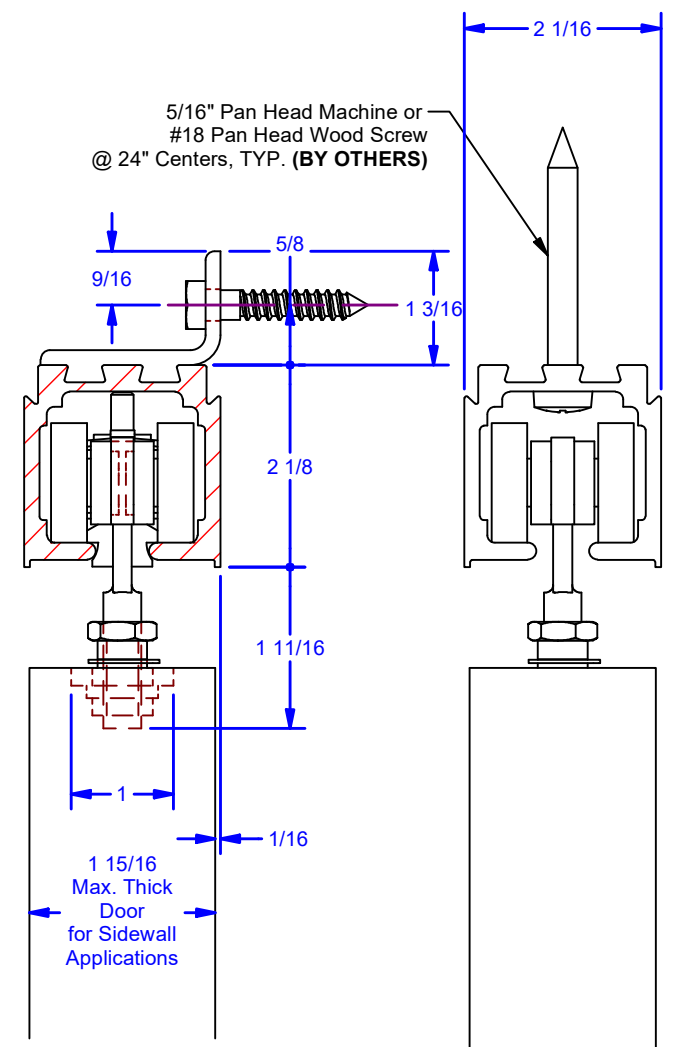
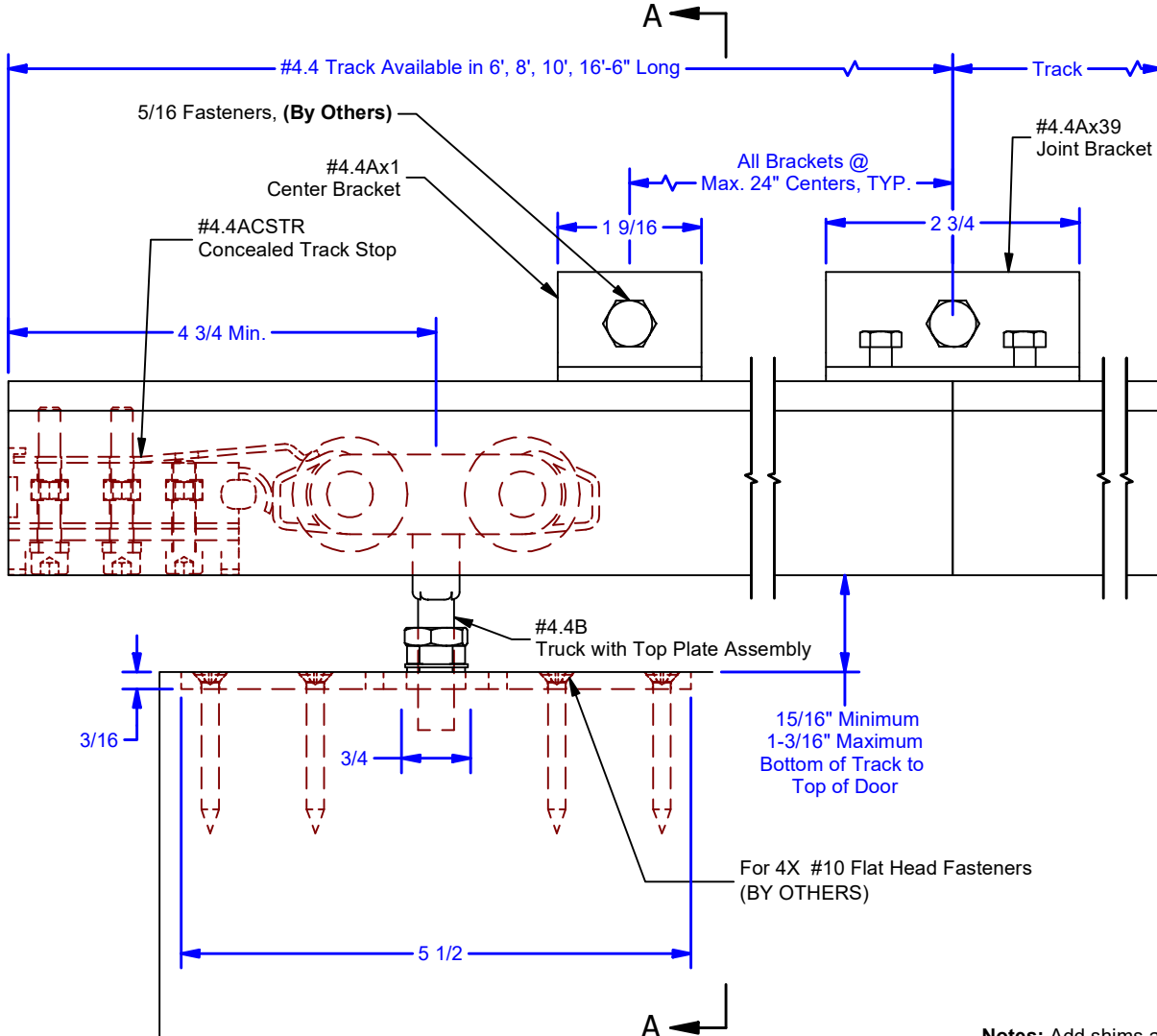
C

B

B

A

A



Notes: Add shims at bracket for doors thicker than 1 15/16"

**SECTION A-A
Sidewall Mounted**

Overhead Mounted

ALL DIMENSIONS IN INCHES

THE INFORMATION CONTAINED IN THIS DRAWING IS THE SOLE PROPERTY OF CROWN INDUSTRIAL. ANY REPRODUCTION IN PART OR AS A WHOLE WITHOUT THE WRITTEN PERMISSION OF CROWN INDUSTRIAL IS PROHIBITED.	ID #:	0001191	STOCK PART #:	4.4
	MATERIAL:	Aluminum		
DESCRIPTION: #4.4 Hardware (440 lb. capacity)				
FINISH:	Clear Anodized Aluminum	# PCS:	REV:	



CROWN INDUSTRIAL
So. San Francisco, Ca
(650) 952-5150
www.crown-industrial.com

DWG #: 0000992
DRAWN: BCM 11/11/2011
SHEET #1
File: 0000992.idw

4

3

2

1

